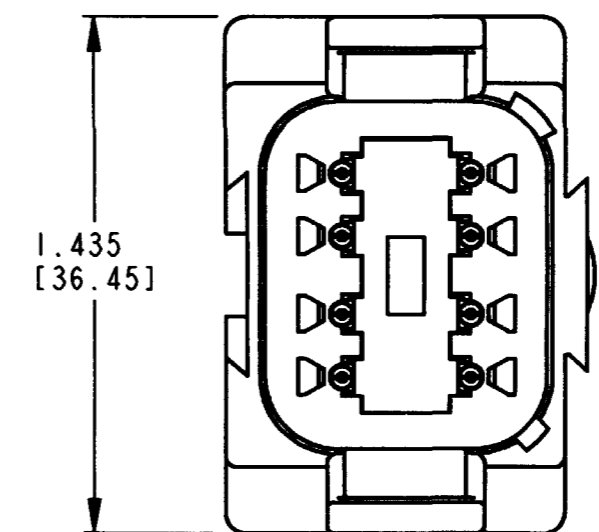
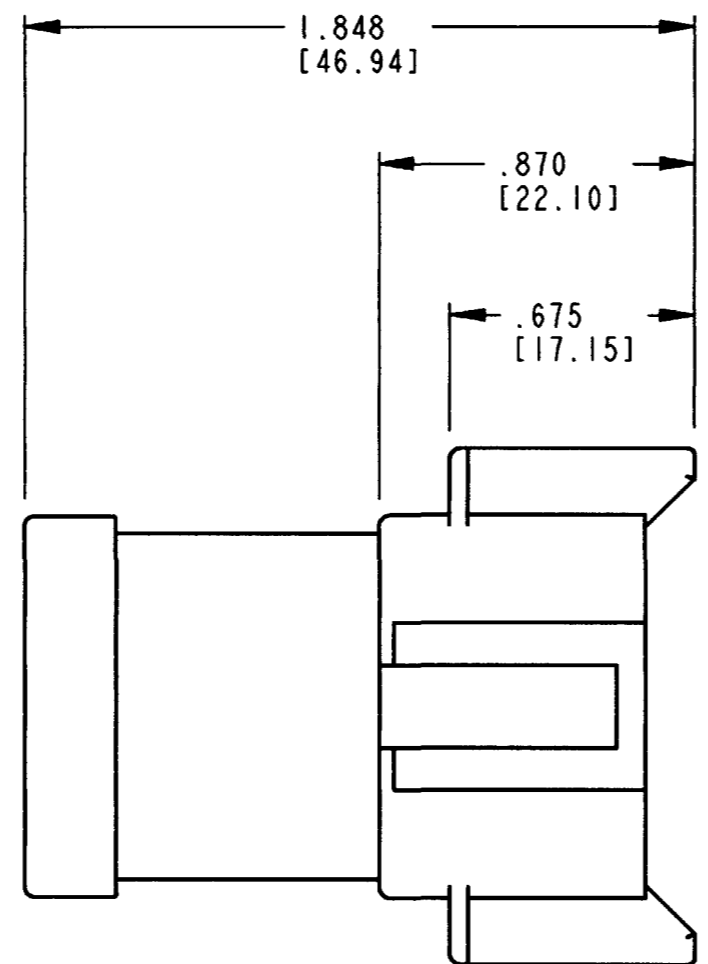
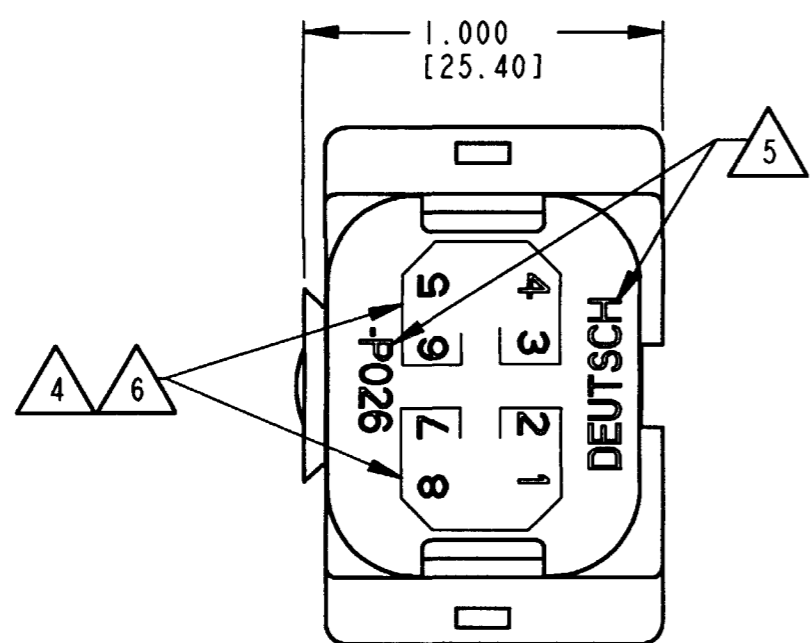


3D VIEW



REV	DT04-08PA-P026	REVISIONS		
NC	SYM	DESCRIPTION	DATE	APPROVED
	NC	NEW RELEASE PER E.O. PI6830	9-1-00	RDK

5. ORIENTATION OF "DEUTSCH" AND "-P026" TO BE OPTIONAL.
4. BORDER SIGNIFIES THAT PINS 1,2,7,8 AND PINS 3,4,5,6 ARE BUSSED TOGETHER WITH 4 PIN BUSBARS.
3. THIS DT04-08PA-P026 MATES WITH DT06-08SA-\*\*\*\* (\*\*\*\* = ALL MODIFICATIONS). CONSULT FACTORY FOR MODIFICATIONS.
2. DIMENSIONS ARE  $\pm .025$ [0.63] UNLESS OTHERWISE SPECIFIED.
1. DIMENSIONS ARE IN INCHES [MILLIMETERS].
- NOTES:

6. THE 4 PIN BUSBAR HAS A MAXIMUM CURRENT RATING OF 26 AMPS.

SIGNATURE & DATE	
DR	P. BURKE 8/24/00
CHK	[Signature] 9/11/00
PE	[Signature] 8/31/00
APPD	[Signature] 8/31/00
SCALE	NONE WT

DT 8 WAY RECEPTACLE  
KEY ARRANGEMENT -A-  
(2) 4 PIN BUSBARS-NICKEL PLATED  
COLOR: GREY

ENVELOPE

CP	MATL. CODE
<b>The Deutsch Company</b> DEUTSCH I.P.D. 3850 INDUSTRIAL AVE. HEMET, CALIF. 92545	
<b>B DT04-08PA-P026</b>	
DWG SIZE	CODE 11139 SHEET   OF